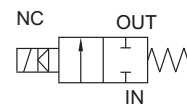


## TANK MOUNTED PULSE JET SOLENOID VALVE

TYPE	PRESSURE

TYPE	PRESSURE
24114BET	0.5 - 8.5 bar

TYPE	PRESSURE
24114	0.5 - 8.5 bar
24114B	0.5 - 8.5 bar
24114ET	0.5 - 8.5 bar



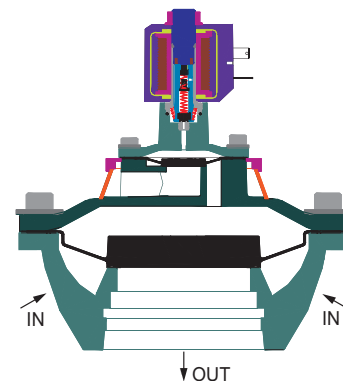
### FEATURES

- Pulse jet valve with two diaphragm designed for large flow, fast ON and OFF response
- Larger exhaust area for reducing noise
- Solenoid capable of turning 360°
- Tank mounted



### WETTED PARTS

Code	※
Body and Internals	Aluminium Die Cast
Guide Assembly	SS 304
Shadow-Ring	Copper
Plunger, Insert	SS 430
Diaphragm	Hytrel, Viton, NBR
Fasteners	SS 304
Seat, Seals	NBR, Viton, PTFE



### SPECIFICATION

RESPONSE TIME 30 ms  
MINIMUM ELECTRICAL PULSE 50 ms

### AMBIENT TEMPERATURE

5 °C to 85 °C

### FLUID TEMPERATURE

5 °C to 85 °C

### SPECIAL VERSION AND SUFFIX

Suffix : (Valve) AM  
Special version : (Solenoid) CO, FR, SS

### PORT CONNECTION

FUNCTION	INLET	OUTLET
NC	2	1

Contact Rotex for  
• Any other ambient, fluid temperature, media and application

### SPARES

(Refer page 25 for ordering code)

SPARE KIT	CODE
Diaphragm Kit : Diaphragm Kit	100
Seal Kit : Oring Set, Diaphragm Kit Plunger Assembly	98
Repair Kit : Oring Set, Diaphragm Kit Plunger Assembly, Fastener, Springs	99
Solenoid Kit : Solenoid, Gasket and Nut	34

### APPROVAL

(\* applied for)

Approval	TYPE 4X, 6P	IP67	Ex d IIC T4 or T5 or T6 IP66	Ex ia IIC T6 IP67	DGMS	CCOE
		✓	✓		✓	✓
CE		✓	✓			
UL	✓		*			
			✓			
			✓			
			✓			



## TANK MOUNTED PULSE JET SOLENOID VALVE

### SPECIFICATION

SIZE	PORT CONNECTION	PRE-SSURE bar		ORIFICE (mm)	FLOW FACTOR kv (LPM OF WATER @ 1 bar ΔP)	VALVE TYPE	PILOT PRESSURE	BODY MATERIAL AND INTERNALS						SEALS				MANUAL OVERRIDE		SOLENOID ENCLOSURE		SUFFIX		POWER VA		CONSTRUCTION REFERENCE NUMBER
		MINIMUM	MAXIMUM					ALUMINIUM	ALUMINIUM + SS	BRASS (STD. PORT NPT)	SS 316 (CF8)	SS 316 (CF8) (STD. PORT NPT)	NBR	Viton+PTFE	EPDM	HYTREL	PTFE	NIL	STAYPUT CUM MOMENTARY	FLYING LEAD	PLUG IN, IP67	SQ. PLUG IN, IP67	TERMINAL BOX IP67	EXPLOSION PROOF IIC, IP67	LARGE ENCLOSURE	

#### INTEGRAL PILOT

1 1/2"	12SB	0.5	8.5	52	1100	24114ET	×											22	T	E	14				18	12	8	P15	
1 1/2"	12SB	0.5	8.5	52	1100	24114BET	×												22	T	E	14				18	12	8	P15
2"	16SB	0.5	8.5	52	1300	24114ET	×												22	T	E	14				18	12	8	P15
2"	16SB	0.5	8.5	52	1300	24114BET	×												22	T	E	14				18	12	8	P15
2 1/2"	20SB	0.5	8.5	65	2000	24114ET	×												22	T	E	14				18	12	8	P15
2 1/2"	20SB	0.5	8.5	65	2000	24114BET	×												22	T	E	14				18	12	8	P15
3"	24SB	0.5	8.5	80	3000	24114ET	×												22	T	E	14				18	12	8	P15
3"	24SB	0.5	8.5	80	3000	24114BET	×												22	T	E	14				18	12	8	P15

Cable Entry	T	E	
		Øc/ā	Øc/ā
M20 x 1.5	FJ	HJ	ITU
M25 x 1.5		ii	ii SVU
1/2" NPT	Fī	Hī	īī bŪ

\* = Do not specify when opted for. Refer Page # 22 for Value of \*

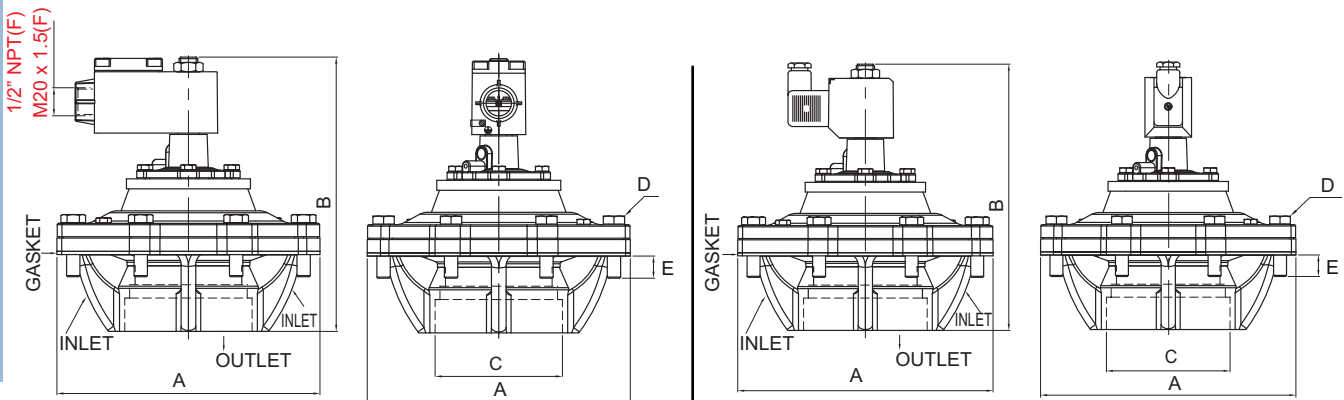
### ORDERING CODE, EXAMPLE VALVE + SOLENOID

TYPE – PORT CONNECTION – BODY AND INTERNALS – SEAL +  
 VOLTAGE- CURRENT – SOLENOID ENCLOSURE – APPROVAL – INSULATION  
 e.g. 24114ET-80-SB-S8+220V-50Hz-16.

### DIMENSIONS

All Dimensions are in mm

### CONSTRUCTION REFERENCE P15



TERMINAL BOX/ Ex d/ LARGE ENCLOSURE, TYPE 16, 19, 37, 39, 58, 58LT

PLUG IN SOLENOID TYPE 22/ 25

XCΞXÓÁYÚÓ	ϐY	Œ	Ó	Ô	Ö	Ò
G FFI ÒV	ì €	FJī	Gé	HÁÚÓ	T Fēl í	Fī
G FFI ÓOV	ì €	FJī	Gé	HÁÚÓ	T Fēcđ	FF
G FFI ÒV	ī ī	Fī ī	FJH	GFBÁÚÓ	T ī cđ	é
G FFI ÓOV	ī ī	Fī ī	FJH	GFBÁÚÓ	T ī cFī	FF
G FFI ÒV	í G	Fī ī	Fī J	GÁÚÓ	T ī cHE	é
G FFI ÓOV	í G	Fī ī	Fī J	GÁÚÓ	T ī cFī	FG
G FFI ÒV	í G	Fī ī	Fī J	FÁFBÁÚÓ	T ī cHE	é
G FFI ÓOV	í G	Fī ī	Fī J	FÁFBÁÚÓ	T ī cFī	FG