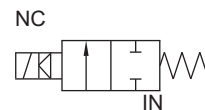


## 25 NB REMOTE PILOT DRESSER NUT PULSE JET VALVE

TYPE	PRESSURE

TYPE	PRESSURE

TYPE	PRESSURE
26108D	0.5 - 8.5 bar



### FEATURES

- Direct pipe mounted
- Select valve type 20159 to operate the valve Refer to page 369 to 372
- Easily removable

### WETTED PARTS

Code	※
Body and Internals	Aluminium Die Cast
Diaphragm	TPU, Viton
Fasteners	SS 304
Seat, Seals	NBR, Viton

### SPECIFICATION

#### FLOW FACTOR

RESPONSE TIME DEPENDS ON PILOT VALVE ORIFICE AND PIPE LENGTH BETWEEN PILOT AND VALVE

### AMBIENT TEMPERATURE

-5 °C to 85 °C

### FLUID TEMPERATURE

-5 °C to 85 °C

### PORT CONNECTION

INLET	OUTLET	PILOT
2	1	3

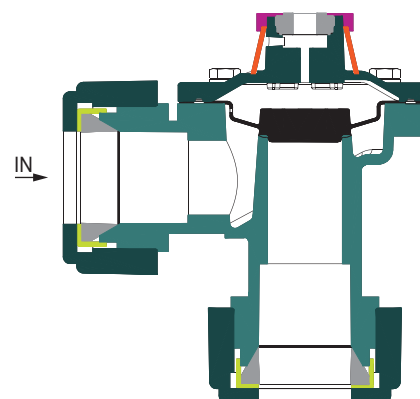
Contact Rotex for  
• Any other ambient, fluid temperature, media and application



Use 2/2 NC PILOT Valve Type 20159, 3.5 mm orifice for operating this valve.

**CONTACT ROTEX BEFORE SELECTING THIS ITEM**

SM



### SPARES

(Refer page 25 for ordering code)

SPARE KIT	CODE
Diaphragm Kit : Diaphragm Kit	100
Seal Kit : Oring Set, Diaphragm Kit	98
Repair Kit : Oring Set, Diaphragm Kit Fastener	99

11



## 25 NB REMOTE PILOT DRESSER NUT PULSE JET VALVE

### SPECIFICATION

SIZE	PORT CONNECTION	PRE-SSURE bar		ORIFICE (mm)	FLOW FACTOR kv (LPM OF WATER @ 1 bar ΔP)	VALVE TYPE	PILOT PRESSURE	BODY MATERIAL AND INTERNALS				DIAPHRAGM				MANUAL OVERRIDE			SOLENOID ENCLOSURE		SUFFIX		POWER VA		CONSTRUCTION REFERENCE NUMBER			
		MINIMUM	MAXIMUM					ALUMINIUM	ALUMINIUM + SS	BRASS	SS 316/ CF8	NBR	Viton	EPDM	HYTREL	TPU	NIL	STAYPUT CUM MOMENTARY	MOMENTARY	FLYING LEAD	PLUG IN, IP67	SQ. PLUG IN, IP67	TERMINAL BOX IP67	FPUB Ex d IIC, T4 OR T6, IP67		LARGE ENCLOSURE	SOLENOID SIZE	OXYGEN
REMOTE PILOT																												
3/4"	6D	0.5	8.5	28	280	26108D	×	×	×	×	S2	S25																P21
1"	8D	0.5	8.5	28	310	26108D	×	×	×	×	S2	S25																P22

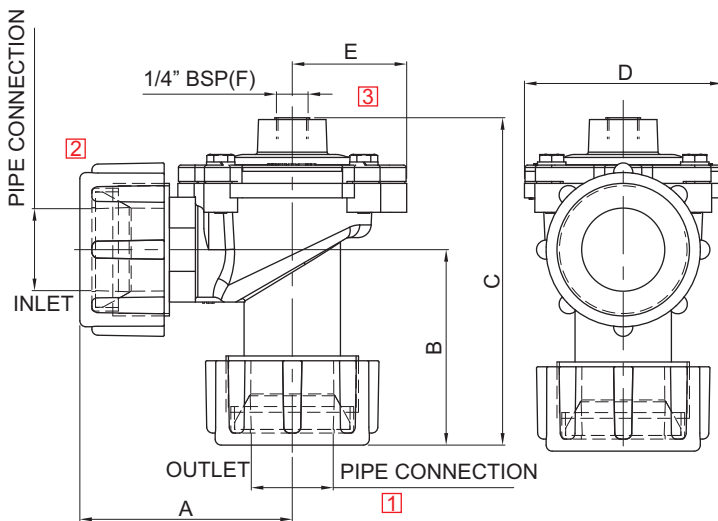
× = Do not specify when opted for. Refer Page # 22 for Value of ×  
 ✓ = Options available

### ORDERING CODE, EXAMPLE VALVE

TYPE - ORIFICE - PORT CONNECTION - BODY AND INTERNALS - SEAL  
 e.g. 26108D-28-8D-S25

### DIMENSIONS All Dimensions are in mm

### CONSTRUCTION REFERENCE P21



VALVE TYPE	NW	PIPE CONN	A	B	C	D	E	Con. Reg
26108D	28	3/4"	88	81	136	82	48	21
26108D	28	1"	88	81	136	82	48	22

