

Angleboard



Angleboard Edge protection

Highly Sustainable

Made from 100% recyclable materials

Cost-effective Solution

Optimizes performance at a lower cost than wooden crates and skid tops

Application Versatility

Can be used for edge protection, unitization and stabilization

Reliable Performance

Protects products throughout the transportation cycle



Angleboard Edge protection

Angleboard edge protector is made from multiple plies of laminated paper-board that are glued, treated & formed into right angles of exceptional strength. Angleboard edge protector stabilizes and unitizes loads for safe handling, transportation and storage. From carton reinforcement to load stability and containment, Angleboard edge protector delivers superior strength, while maximizing efficiency for logistic applications.

Features and benefits

■ Maximum versatility

Ideal for a wide range of products and applications, Angleboard edge protector is the perfect solution to reducing overall packaging costs per load for a wide range of agriculture, commercial and industrial markets and goods.

■ Protects single carton shipments

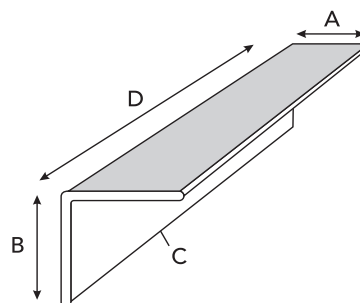
Used for carton reinforcement, Angleboard edge protector provides dock-to-door protection, making it a cost-effective, reliable solution for e-commerce.

■ Reduces costs

With an innovative double-wrap construction, Angleboard edge protector optimizes performance at a lower cost than traditional laminated products. Its lightweight design allows for more pieces per truckload to reduce overall consumable freight costs.

■ Application-specific solutions

Angleboard edge protector can be tailored to suit different product applications, including custom printing, allowing for branding, product identification and point-of-sale merchandising.



Angleboard edge protector Technical Specifications

Size	Leg Length (A)	Leg Length (B)	Thickness (C)	Compression Strength	Strapping Strength
	(mm)	(mm)	(mm)	(N)	(N)
40 x 40 x 3.0	40	40	3.0	408	180
40 x 40 x 4.0	40	40	4.0	452	205
40 x 40 x 5.0	40	40	5.0	475	280
50 x 50 x 3.0	50	50	3.0	605	280
50 x 50 x 4.0	50	50	4.0	985	426
50 x 50 x 4.5	50	50	4.5	1074	450
50 x 50 x 5.0	50	50	5.0	1330	539
60 x 60 x 4.0	60	60	4.0	1321	504
60 x 60 x 5.0	60	60	5.0	1464	612
60 x 60 x 5.5	60	60	5.5	1625	689
65 x 65 x 5.0	65	65	5.0	1923	828
75 x 75 x 4.0	75	75	4.0	1481	644
75 x 75 x 5.0	75	75	5.0	2042	911
75 x 75 x 5.7	75	75	5.7	2107	962
75 x 75 x 6.0	75	75	6.0	2165	998
75 x 75 x 7.0	75	75	7.0	2245	1104
95 x 95 x 5.0	95	95	5.0	2586	1115
95 x 95 x 6.0	95	95	6.0	2968	1240
100 x 50 x 6.0	100	50	6.0	1856	828

1. Tolerances: Leg Length +/- 3mm, Thickness +/- 0.4mm, Angle 90° +/- 10°, Straight Length +/- 3mm, ID/OD Length +/- 10mm

2. Compression Strength: Measured on 100 mm piece, Strapping Strength: Measured on 300 mm piece

3. OD Sizes: 60x40x3, 75x50x2.5, 75x50x3, 100x50x3

4. Slats / Self Stick / Poly Coated AB: Max Slat Width is 4"

The company reserves the right to make technical alterations without prior notification.

© 2019 Signode Industrial Group LLC / SIG-98 Rev 200210 / www.Signode.com

For any queries, please contact us at info.india@signode.com